

Service Bulletin SPSB # 03032000 Revision B

1. Unpick and remove bartacks carefully. [Fig 1].

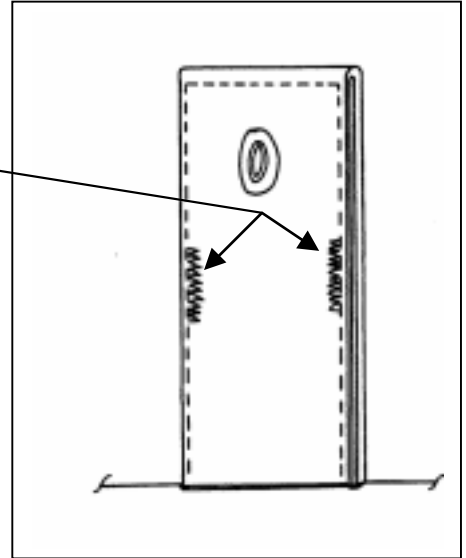


FIGURE 1

2. You should have a continuous loop of Type 12. [Fig 2].
3. Some older rigs had a short cover behind the grommet [Fig 3]. Follow the instructions below ignoring the references to the continuous loop in the diagrams. Your end result will be the covering of the grommet and final bartacking of the short cover in place. [Fig 6].

Mark closing loop retainer at midpoint of removed bartacks with marker pencil.

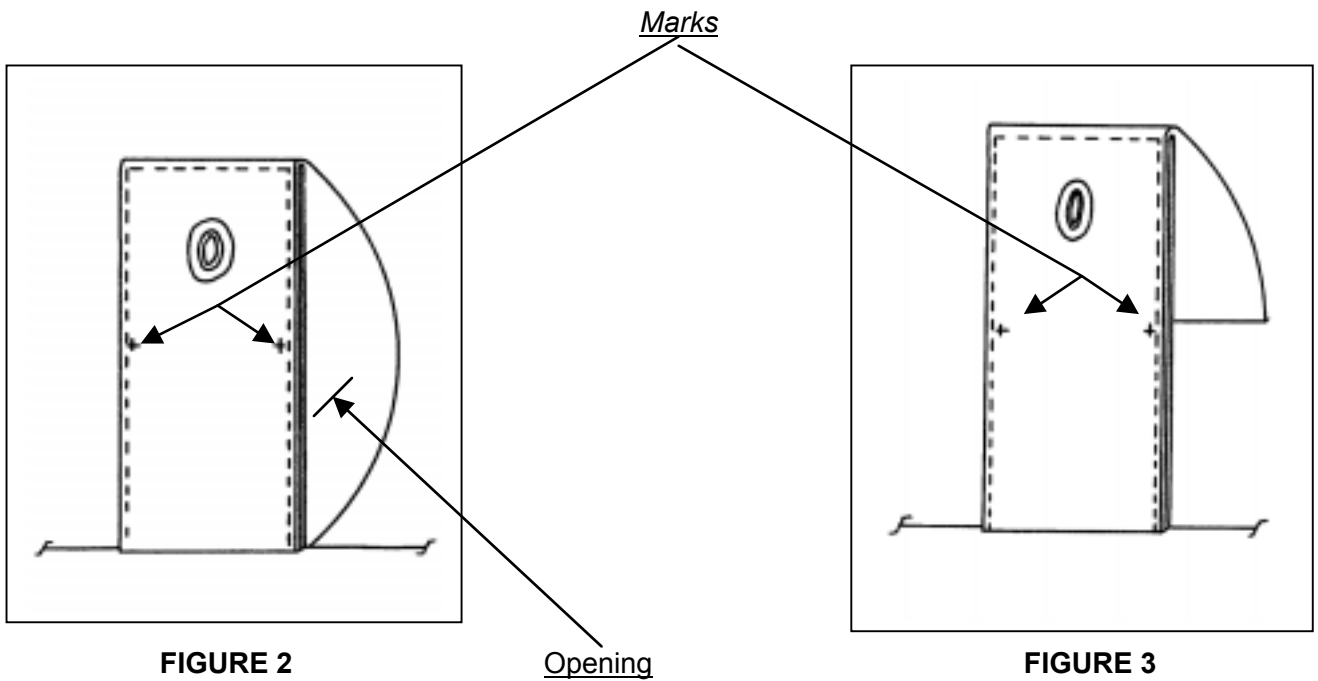


FIGURE 2

Opening

FIGURE 3

4. Cut Type 12 webbing at 6_” (165mm) for short closing loop retainers (most Javelins) or, 10_” (260mm) for long closing loop retainers found on J6N, J7N, J10 and J12's.

Line up hot-knifed edge of Type 12 webbing at marks as marked in Fig 2 & 3.

Lay Type 12 towards grommet and fold it so that the fold lines up with the top of the grommet.

Mark the top layer of Type 12 directly above the two marks as marked in Fig 2 & 3.

Using a straight stitch machine sew along the edge of the tape from a mid-bartack mark up to and one stitch over the fold and return to the mark.

Sew only to the layers of Type 12 that the grommet is set through. Do NOT sew through the back part of the closing loop retainer. (Continuous loop or short cover).

Repeat on other side [Fig 4].

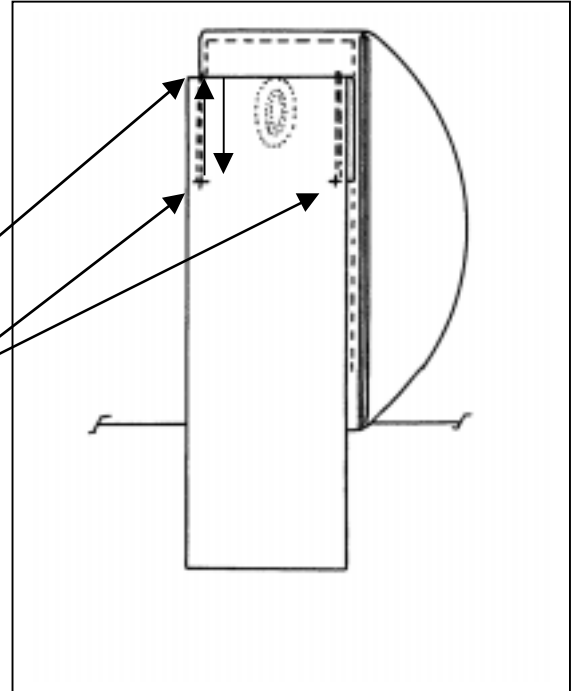


FIGURE 4

5. Lay closing loop retainer flat and fold unsewn piece so that the fold is as close to the reserve container as possible.

Sew around three sides from mark to mark as made in Fig 4.

Be careful not to sew closed the opening for the closing loop. [Fig 5].

Fold

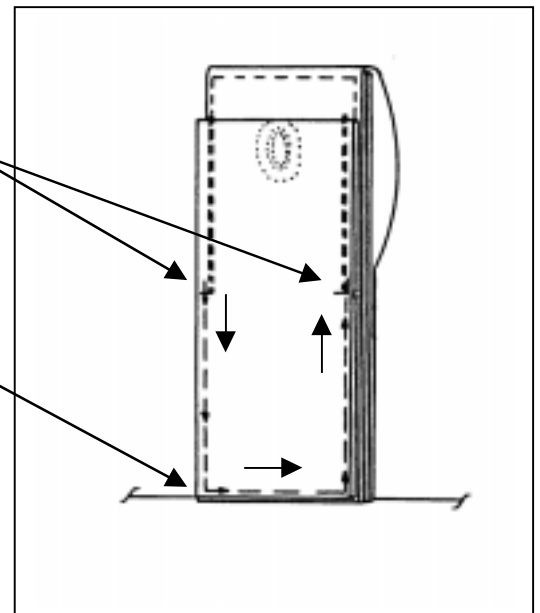


FIGURE 5

6. Replace bartacks or zig-zag new locking stitches in same place as the ones taken out. [Fig 6].

NOTE: The short cover must be secured in place with the bartacks.

Bartacks

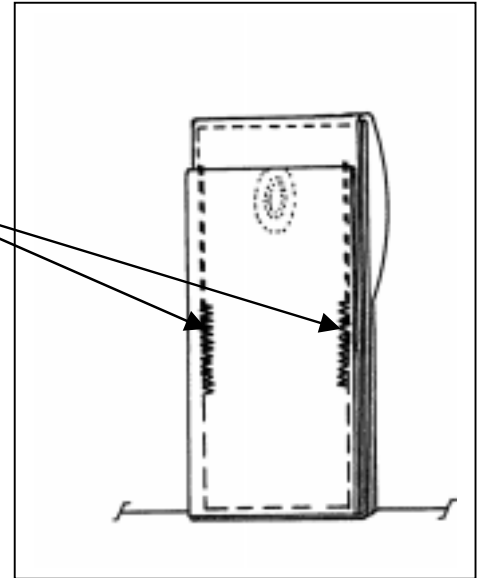


FIGURE 6

Trim threads and update Packing Data Card with Service Bulletin Compliance.

Service Bulletin SPSB #03032000 Revision A Update.

If you have already complied with Service Bulletin # SPSB 03032000 Revision A do as follows:-

Unpick the 4 x securing stitch rows along each side of the modified main closing loop retainer.

Follow Steps 2 through 6 above.